

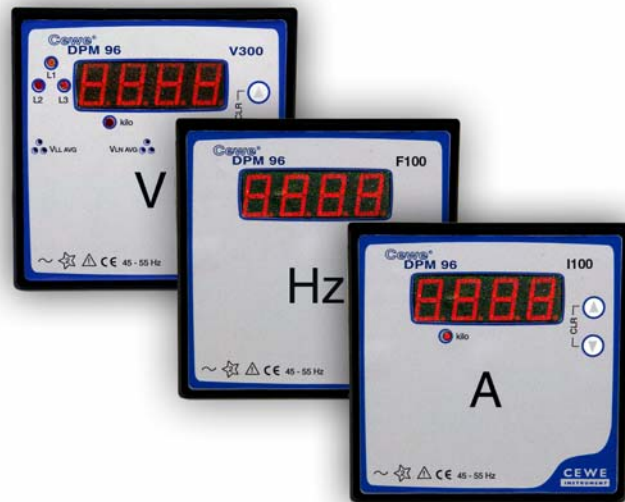
# Digital Meter

## DPM-Series

*We at Cewe Instrument AB having 50 years of excellence in providing reliable and innovative product solution world wide in the field of panel meters, transducers and precision metering.*

*A Digital panel meter series are in the line with our endeavors in this direction.*

*DigitalPanel Meters equipped with latest technology provides various product ranges for Industrial/Commercial applications and on site programmable functionality.*



### APPLICATIONS SUMMARY

- Test benches
- Industrial automation
- Electrical Control Panels
- Lab equipments
- Switch board instruments

### UNIQUE FEATURES

- True RMS Measurement
- Accuracy class 1.0 for 5% to 120% of Input range
- On Site CT/PT Ratio Programmability
- Onsite configurations selectable to 3 phase 3 Wire or 4 wire system.
- Four digit LED display with 9999 counts
- Auxiliary supply range from 80V-300V AC
- Continuous Overload of 2 times the Nominal value
- Comply with International Safety Standards

# Digital Meter

---

## PRODUCT RANGE

- Single Phase AC Voltmeter/ Ammeter
- Single Phase Power Factor Meter
- Single Phase Active Power Meter
- Frequency Meter (Active)
- DC Voltmeter
- Three phase AC Voltmeter/ Ammeter
- Three phase Power Factor Meter
- Three phase Power Meter (Active/ Reactive)
- Three phase energy meter
- DC Ammeter

Meter Type	Product Range	Single Phase Series	Three Phase Series
		<b>Model</b>	<b>Model</b>
<b>AC</b>	Voltmeter	DPM 96 V100	DPM 96 V300
	Ammeter	DPM 96 I100	DPM 96 I300
	Frequency	DPM 96 F100	
	Power Factor	DPM 96 P100	DPM 96 P300
	Active Power	DPM 96 W100	DPM 96 W300
	Reactive Power		DPM 96 R300
	Energy Meter		DPM 96 E300
<b>DC</b>	Voltmeter	DPM 96 V200	
	Ammeter	DPM 96 I200	

Auxiliary Supply		Accuracy Class		Pulse Output*	
<b>AC</b>	1	0.2 <sup>^</sup>	2	With	1
		1	1	Without	2
				Not Applicable	0

\* Pulse output is available with energy meter product range only.

<sup>^</sup> Frequency Meter is available with class 0.2 accuracy class

### For ordering, please refer following model selection guide line –

Model Number – A B C

A: Auxiliary Supply

B: Accuracy Class

C: Pulse Output option

Example: AC Voltmeter, Three Phase, Class 1.0, AC Auxiliary Supply

Ordering Code: DPM 96 V300 - 110

## Technical Specifications

---

<b>DISPLAY</b>	Display range	9999, 999999 (For Energy Meter)
	Display point position Digit height	Programmable, Settable by Push Button 14.2 mm / 7 Segment
<b>AUXILIARY SUPPLY</b>	24 V DC	
	80 V to 300 V AC	
	Burden on Aux. Supply Burden on measuring terminals	<3VA <0.5 VA
<b>ENVIRONMENTAL</b>	Operating temperature	0 to 60°C
	Storage Range	25 to 70°C
	Relative humidity	0-95%
	Temperature Coefficient	0.01% per degree Celsius typical
<b>Measuring Input Range</b>		
<b>AC Voltmeter</b>		
Input voltage	Single phase or Three phase	0-63.5V,0-110V,0-240V,0-415V
<b>AC Ammeter</b>		
Input current	Single phase or Three phase	1A / 5A Site Selectable
<b>Frequency Meter</b>		
Input frequency	40 - 70 Hz	
<b>Power Meter</b>		
Three Phase/ Single Phase		0-63.5V,0-110V,0-240V,0-415V 1A / 5A Site Selectable
<b>Power Factor Meter</b>	0 to 360° For voltage values & current values	63.5 V/110 V/240 V AC (± 40%) 1 or 5 Amp(Range 20% to 120%)
<b>Energy Meter</b>		
Input voltage Input current	Three phase	0-63.5V,0-110V,0-240V,0-415V 1A/5A Site Selectable
<b>DC Voltmeter</b>		
Input voltage		0-2 V 0-20 V 0-200 V 0-300 V
<b>DC Ammeter</b>		
		75 mV with external shunt

As an Endeavour to update to latest technology, specifications are subject to change without any prior notice

# Mechanical Specifications

---

## DIMENSION DETAILS

Bezel size	96x96 mm
Panel Cut Out	92x92 mm
Weight	650 grams
Connectors	Standard strip type connector

## ACCURACY

Accuracy class	1.0% of Range
	0.2% of Range (In case of frequency Meter)
Response time	< 1 sec
Resolution	0.001 auto decimal
	0.00001 Auto decimal & LED (Energy Meter)

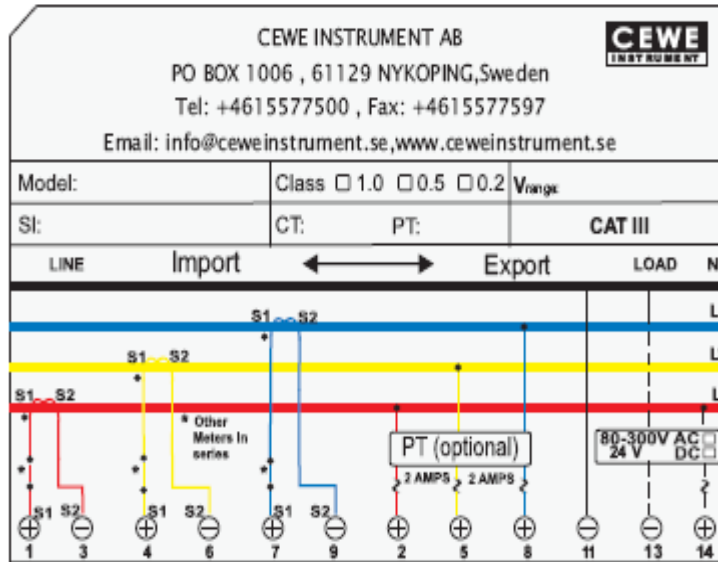
## SAFETY

Protection class	For Terminals	IP 20 as per IEC EN 60529
	For Display	IP 50 as per IEC EN 60529
Device Safety		As per IEC 61010
Insulation Level		2.0 KV, AC, 50 Hz for 1 min
ESD		8 KV
EFT		2KV
Enclosure material		Poly Carbonate

As an endeavour to update to latest technology, specifications are subject to change without any prior notice

---

Connection Diagram



As an endeavour to update to latest technology, specifications are subject to change without any prior notice



**Cewe Instrument AB**  
Box 1006 • SE-611 29 Nyköping • SWEDEN  
[info@ceweinstrument.se](mailto:info@ceweinstrument.se) • [www.ceweinstrument.se](http://www.ceweinstrument.se)

